

HIGH EFFICIENT RIGID MOUNTED INDUSTRIAL WASHER EXTRACTORS

RX
RANGE

RX 80	RX 105	RX 135
7,5KG 16LB	10,5KG 23LB	13,5KG 30LB



FEATURES

- Rigid mounted, normal spin, up to 200G factor
- Stainless steel top and front panel, black side panels
- Stainless steel drum and tub
- XControl - easy to use microprocessor
- Patented soap hopper
- Large drain valve (Ø 76 mm)
- Easy access to all vital parts from the front
- Large door opening for easy loading & unloading

OPTIONS

- XControl+ Fully programmable
- Coin operated timer
- Stainless steel side panels
- USB plug (on the back panel)
- Liquid soap connection
- Liquid soap pumps
- Water recovery kit
- Steam heating version
- Drain pump (RX80)
- 3rd water inlet
- ECO version: Lower kW rating on request



ERGONOMIC
CONSTRUCTION

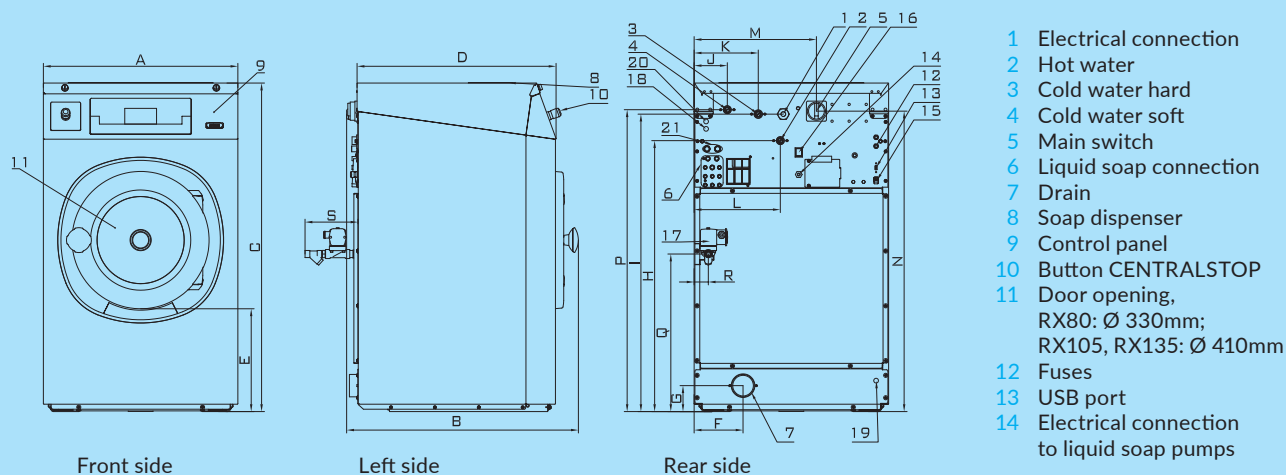


LARGE DOOR
OPENING



LOW WATER
AND ENERGY
CONSUMPTION

TYPE		RX80	RX105	RX135
INNERDRUM				
Capacity 1:09	kg (lb)	8(18)	12(26)	15(33)
Capacity 1:10	kg (lb)	7,5(16)	10,5(23)	13,5(30)
Volume	litres	75	105	135
Diameter	mm	530	620	620
DRUM SPEED				
Wash	rpm	50	46	46
Extraction	rpm	820	760	760
G-FACTOR				
		200	200	200
HEATING				
ELECTRICITY				
very low-low-std-higher-special 1 -2-3	kW	3-4,6-6-9--7--	3---9-12-6-7--	3---12-13,8-6-7-9
Steam	bar	1 - 8	1 - 8	1 - 8
Hot water	°C	90	90	90
Sound pressure level	dB (A)	< 65	< 65	< 65
Water valves connection	BSP	3/4"	3/4"	3/4"
Water pressure	kPa	100-800	100-800	100-800
Rec. water pressure	kPa	300-500	300-500	300-500
Water inlet	l/min	20	20	20
Drain valve	outer Ø mm	76	76	76
Flow amount with drain valve	l/min	210	210	210
Steam valve connection	BSP	1/2"	1/2"	1/2"
Steam pressure	kPa	100-800	100-800	100-800
DIMENSIONS				
Size H×W×D	mm	1115×660×785	1225×750×785	1225×750×900
Net weight	kg	135	170	190
TRANSPORT DATA				
Packed H×W×D	mm	1245×710×835	1355×800×835	1355×800×950
Gross weight	kg	145	185	200



DIMENSIONS

	A	B	C	D	E	F	G	H	I	J	K	L	M	N	P	Q	R	S
RX80	660	785	1115	676	349	166	88	920	1010	113	218	293	415	1020	1025	535	48	180
RX105	750	785	1225	676	342	225	98	1030	1120	113	218	338	505	1130	1135	480	42	192
RX135	750	900	1225	788	342	225	98	1030	1120	113	218	338	505	1130	1135	480	42	192
	width	depth	height															

		RX80
Water consumption	l/kg	6,9
Electricity consumption	kWh/kg	0,17

* Program No 11

The Primus preserves the right to change the machines and the specification in this leaflet at any time, without prior notice. Details and photographs are only for information and never binding.
www.primuslaundry.com



Primus by Alliance Laundry Systems

ECO³
small technology