

INDUSTRIAL CYLINDER HEATED DRYING IRONER

I
RANGE

180

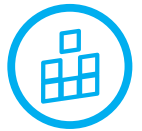
800MM



ROBUST DESIGN



HIGH OUTPUT



MODULAR
SYSTEM

FEATURES

- Large surface contact with linen
- Finger protection and emergency button for more safety
- Automatic cooldown
- MCX- Easy to operate microprocessor
- Overdimensioned fan for flexible installation
- Indication of ironing speed and temperature
- Reverse mode possible
- Space saving installation against the wall is possible: front return

- Frequency controlled motor
- Electric, gas or steam heating
- OCS - Overheating check system

OPTIONS

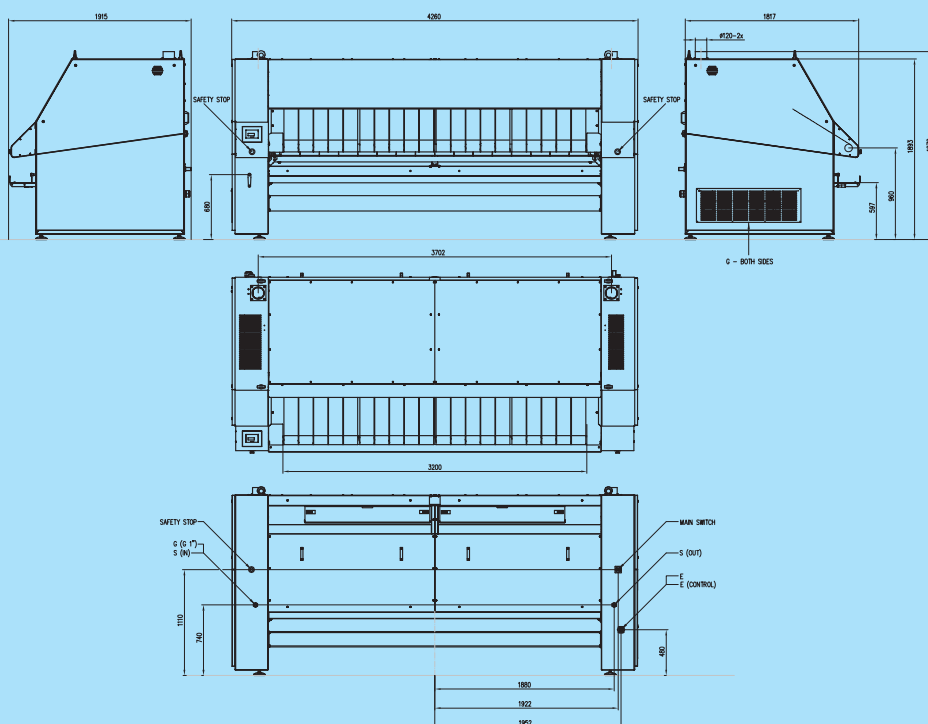
- Stop pedal
- Vacuum table
- Sensospeed - auto adjustable ironing speed

TYPE		E	180 G	S
ROLLER DIAMETER	mm	800		
USEFUL ROLLER LENGTH	mm	3186		
POWER				
Heating	kW (E,G) kg/h (S)	75	110*	190
ROLLER MOTOR	kW	0,9		
FAN MOTOR	kW (50/60Hz)	2×0,55/0,75		
IRONING CAPACITY**	kg	195		
ROLLER SPEED	m/min.	3-15		
FAN CAPACITY	m³/h	2x1300		
ELECTRIC CONNECTION		380-415V 3AC+N 50/60 Hz 208-240V 3AC 50/60 Hz 380-415V 3AC-N 50/60 Hz 440-480V 3AC 60 Hz		
DIMENSIONS H×W×D	mm	1985×4260×1915		
Weight netto	kg	2610	2480	2900
PACKING DIMENSIONS				
H×W×D	mm	2080×4380×2080		
Weight brutto	kg	2870	2740	3160

* G20, 20 mbar

** According to ISO 9398-1

Standard version



The Primus preserves the right to change the machines and the specification in this leaflet at any time, without prior notice. Details and photographs are only for information and never binding.

www.primuslaundry.com

Primus by Alliance Laundry Systems

