

# HIGH EFFICIENT RIGID MOUNTED INDUSTRIAL WASHER EXTRACTORS

**RX**  
RANGE

**RX 350**

33KG  
73LB

**RX 520**

52KG  
115LB



## FEATURES

- Rigid mounted, normal spin, 100G factor
- Stainless steel top and front panel, black side panels
- Stainless steel drum and tub
- XControl - easy to use microprocessor
- Patented soap hopper
- High capacity water inlets
- Large drain valve (2 x Ø 76 mm)
- Easy access to all vital parts from the front
- Large door opening for easy loading & unloading

## OPTIONS

- XControl+ Fully programmable
- Coin operated timer
- Stainless steel side panels
- USB plug (on the back panel)
- Liquid soap connection
- Liquid soap pumps
- Water recovery kit
- Steam heating version
- 3rd water inlet
- ECO version : lower kW rating on request



ERGONOMIC  
CONSTRUCTION



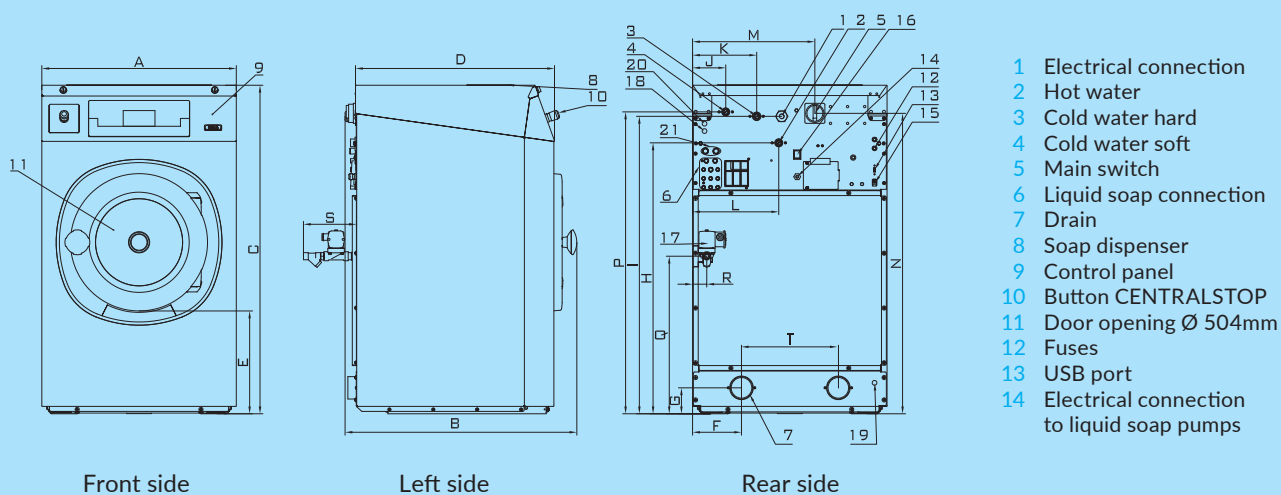
LARGE DOOR  
OPENING



LOW WATER  
AND ENERGY  
CONSUMPTION

GET AHEAD IN LAUNDRY

TYPE		RX350	RX520
<b>INNERDRUM</b>			
Capacity 1:09	kg (lb)	37(82)	58(128)
Capacity 1:10	kg (lb)	33(73)	52(115)
Volume	litres	332	520
Diameter	mm	914	914
<b>DRUM SPEED</b>			
Wash	rpm	38	38
Extraction	rpm	540	440
<b>G-FACTOR</b>			
		150	100
<b>HEATING</b>			
Electricity	kW	27	40,6
Steam	bar	1 - 8	1 - 8
Hot water	°C	90	90
Sound pressure level	dB (A)	< 65	< 65
Water valves connection	BSP	3/4"	1"
Water pressure	kPa	100-800	100-800
Rec. water pressure	kPa	300-500	300-500
Water inlet	l/min	66-188	183-518
Drain valve	outer Ø mm	2x76	2x76
Flow amount with drain valve	l/min	2x210	2x210
Steam valve connection	BSP	3/4"	3/4"
Steam pressure	kPa	100-800	100-800
<b>DIMENSIONS</b>			
Size H×W×D	mm	1500×1060×1030	1500×1060×1315
Net weight	kg	410	520
<b>TRANSPORT DATA</b>			
Packed H×W×D	mm	1625×1088×1060	1625×1088×1345
Gross weight	kg	425	535



## DIMENSIONS

	A	B	C	D	E	F	G	H	I	J	K	L	M	N	P	Q	R	S	T
RX350	1060	1030	1500	936	465	318	120	1326	1366	113	248	383	671	1349	1413	528	66	145	482
RX520	1060	1315	1500	1221	465	318	120	1414	1374	88	223	363	671	1349	1332	528	66	145	482
	width	depth	height																



The Primus preserves the right to change the machines and the specification in this leaflet at any time, without prior notice. Details and photographs are only for information and never binding.  
[www.primuslaundry.com](http://www.primuslaundry.com)

