

# HIGHLY EFFICIENT HARD MOUNTED WASHER EXTRACTORS

PC  
RANGE

PC40

18KG



## FEATURES

- Hard-mount, medium spin, up to 200 G-factor
- Stainless steel front panel & door, skin plate side panels
- Robotically welded frame
- Stainless steel drum and tub
- Control: Xtronic OPL – easy to use microprocessor
- 4-compartment soap box
- One piece cast bearing housing: long life span
- Heavy duty variable speed motor: smooth start and stop
- Patented “Water Guardian”: detects leaking valves
- Durable door latch and lock mechanism
- Large door opening: easy loading & unloading

## OPTIONS

- Xtronic VEND – 4 cycles
- Stainless steel side panels
- Liquid soap pumps

| MODEL                              |              | PC40                        |
|------------------------------------|--------------|-----------------------------|
| CONTROL OPTION                     |              | Xtronic OPL<br>Xtronic VEND |
| CAPACITY - kg                      |              | 18                          |
| OVERALL WIDTH - mm                 |              | 778                         |
| *OVERALL DEPTH - mm                |              | 1009                        |
| OVERALL HEIGHT - mm                |              | 1199                        |
| CYLINDER DIAMETER - mm             |              | 667                         |
| CYLINDER DEPTH - mm                |              | 514                         |
| CYLINDER VOLUME - liters           |              | 180                         |
| DOOR OPENING SIZE - mm             |              | 413                         |
| DOOR BOTTOM TO FLOOR - mm          |              | 368                         |
| WATER INLET CONNECTION - mm        |              | 19                          |
| DRAIN DIAMETER - mm                |              | 76                          |
| DRAIN HEIGHT TO FLOOR - mm         |              | 122                         |
| MOTOR POWER CONSUMPTION - hp (kw)  |              | 2 (1.7)                     |
| TOTAL # OF SPEEDS                  |              | 6, 9                        |
| CYLINDER SPEEDS - RPM<br>(G-FORCE) | Gentle       | 33 (0.4)                    |
|                                    | Wash         | 46 (.8)                     |
|                                    | Distribution | 82 (2.5)                    |
|                                    | Very Low     | 269 (27)                    |
|                                    | Low          | 464 (80)                    |
|                                    | Medium       | 518 (100)                   |
|                                    | ** High      | 579 (120)                   |
|                                    | **Very High  | 635 (150)                   |
|                                    | **Ultra High | 733 (200)                   |

|  |   |                           |                            |
|--|---|---------------------------|----------------------------|
| ***<br>VOLTAGE/<br>CIRCUIT<br>BREAKER<br>- FLA | B | 120/60/1                  | 20-16                      |
|  | X | 200-208/220-240/50/60/1/3 | 15-7 (1 Ph)<br>15-4 (3 Ph) |
|  | Q | 200-208/220-240/50/60/3   | 15-4                       |
|  | N | 440-480/50/60/3           | 15-3                       |
|  | P | 380-415/50/60/3           | 15-3                       |

|                                     |        |      |
|-------------------------------------|--------|------|
| SHIPPING DIMENSIONS<br>APPROX. - mm | Width  | 826  |
|                                     | Depth  | 1105 |
|                                     | Height | 1361 |

|                 |     |
|-----------------|-----|
| NET WEIGHT - kg | 249 |
|-----------------|-----|

|                      |     |
|----------------------|-----|
| SHIPPING WEIGHT - kg | 268 |
|----------------------|-----|

|                                 |     |
|---------------------------------|-----|
| SLAT CRATE SHIPPING WEIGHT - kg | 313 |
|---------------------------------|-----|

|                      |                        |
|----------------------|------------------------|
| ****AGENCY APPROVALS | ETL <sub>us</sub> , CE |
|----------------------|------------------------|

\*\*\*High, Very High, and Ultra High Spin Speeds are available on the Xtronic OPL models only.

\*\*\*Circuit breaker and amp draw data shown are for models without electric heat. Consult factory for other configurations. Manufacturer strongly recommends using a circuit breaker instead of fuses. Use 3-pole circuit breakers for 3-phase machines.

\*\*\*\*Agency approvals may vary depending on configuration. Consult factory for details. Steam connection requires 1/2" N.P.T.

For the most accurate information, the installation guide should be used for all design and construction purposes. Due to continuous product improvements, design and specifications subject to change without notice. The quality management system of Alliance Laundry Systems has been registered to ISO 9001.

### Xtronic OPL

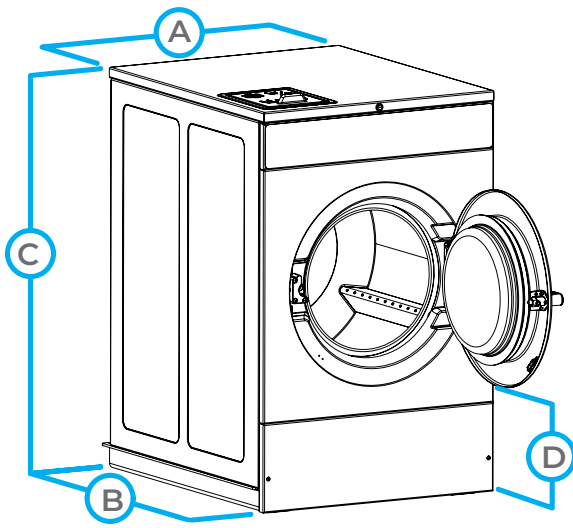


Customize your washing power with the ability to choose between three water levels while eliminating wasted water with advanced leak detection. PC programming, audit data retrieval and advanced diagnostics save time, while 200 G-Force extraction speeds reduce drying time and utility consumption.

### Xtronic VEND



For laundry managers requiring basic management options, Xtronic VEND offers a 100 or 200 G-Force extraction speed, 4 cycle selections, 30 water levels, 2 cycle modifiers (Extra wash, Extra rinse) and manual programming.



| MODEL                        | PC40 |
|------------------------------|------|
| A. OVERALL WIDTH - mm        | 778  |
| B. *OVERALL DEPTH - mm       | 1009 |
| C. OVERALL HEIGHT - mm       | 1199 |
| D. DOOR BOTTOM TO FLOOR - mm | 368  |