

HIGHLY EFFICIENT HARD MOUNTED WASHER EXTRACTORS

PC
RANGE

PC30

13,6KG



FEATURES

- Hard-mount, medium spin, up to 200 G-factor
- Stainless steel front panel & door, skin plate side panels
- Robotically welded frame
- Stainless steel drum and tub
- Control: Xtronic OPL – easy to use microprocessor
- 4-compartment soap box
- One piece cast bearing housing: long life span
- Heavy duty variable speed motor: smooth start and stop
- Patented “Water Guardian”: detects leaking valves
- Durable door latch and lock mechanism
- Large door opening: easy loading & unloading

OPTIONS

- Xtronic VEND – 4 cycles
- Stainless steel side panels
- Liquid soap pumps

MODEL	PC30	
CONTROL OPTION	Xtronic OPL Xtronic VEND	
CAPACITY - kg	13.6	
OVERALL WIDTH - mm	737	
*OVERALL DEPTH - mm	878	
OVERALL HEIGHT - mm	1142	
CYLINDER DIAMETER - mm	610	
CYLINDER DEPTH - mm	406	
CYLINDER VOLUME - liters	118	
DOOR OPENING SIZE - mm	364	
DOOR BOTTOM TO FLOOR - mm	356	
WATER INLET CONNECTION - mm	19	
DRAIN DIAMETER - in (mm)	52	
DRAIN HEIGHT TO FLOOR - mm	114	
MOTOR POWER CONSUMPTION - hp (kw)	1 (.75)	
TOTAL # OF SPEEDS	6, 9	
CYLINDER SPEEDS - RPM (G-FORCE)	Gentle	34 (0.4)
	Wash	48 (.8)
	Distribution	86 (2.5)
	Very Low	282 (27)
	Low	485 (80)
	Medium	542 (100)
	** High	606 (120)
	**Very High	664 (150)
	**Ultra High	766 (200)

*** VOLTAGE/ CIRCUIT BREAKER - FLA	B	120/60/1	20-16
	X	200-208/220-240/50/60/1/3	15-6 (1 Ph) 15-4 (3 Ph)
	Q	200-208/220-240/50/60/3	15-4
	N	440-480/50/60/3	15-3
	P	380-415/50/60/3	15-3

SHIPPING DIMENSIONS APPROX. - mm	Width	800
	Depth	973
	Height	1303

NET WEIGHT - kg	209
-----------------	-----

SHIPPING WEIGHT - kg	225
----------------------	-----

SLAT CRATE SHIPPING WEIGHT - kg	268
---------------------------------	-----

****AGENCY APPROVALS	ETL _{us} , CE
----------------------	------------------------

***High, Very High, and Ultra High Spin Speeds are available on the Xtronic OPL models only.

***Circuit breaker and amp draw data shown are for models without electric heat. Consult factory for other configurations. Manufacturer strongly recommends using a circuit breaker instead of fuses. Use 3-pole circuit breakers for 3-phase machines.

****Agency approvals may vary depending on configuration. Consult factory for details. Steam connection requires 1/2" N.P.T.

For the most accurate information, the installation guide should be used for all design and construction purposes. Due to continuous product improvements, design and specifications subject to change without notice. The quality management system of Alliance Laundry Systems has been registered to ISO 9001.

Xtronic OPL

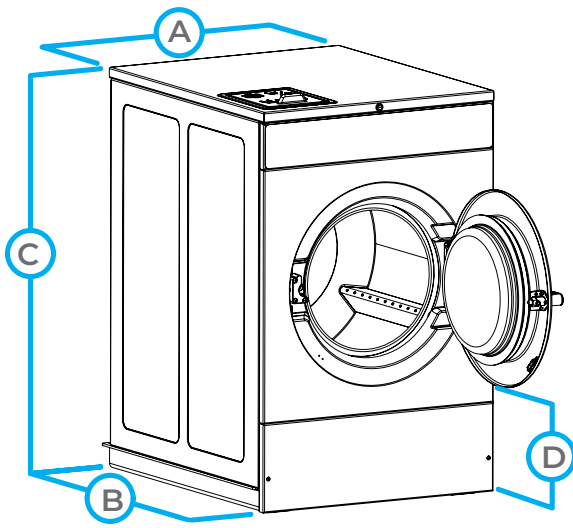


Customize your washing power with the ability to choose between three water levels while eliminating wasted water with advanced leak detection. PC programming, audit data retrieval and advanced diagnostics save time, while 200 G-Force extraction speeds reduce drying time and utility consumption.

Xtronic VEND



For laundry managers requiring basic management options, Xtronic VEND offers a 100 or 200 G-Force extraction speed, 4 cycle selections, 30 water levels, 2 cycle modifiers (Extra wash, Extra rinse) and manual programming.



MODEL	PC30
A. OVERALL WIDTH - in (mm)	737
B. *OVERALL DEPTH - in (mm)	878
C. OVERALL HEIGHT - in (mm)	1142
D. DOOR BOTTOM TO FLOOR - in (mm)	356